

Industrial Robot China Scara Robot **AR5215**
Mobile Phone Screen Dispensing Machine

Model		AR5215	
Species		SCARA	
Number of axes		4	
Arm length		500mm	
Axis Specification	X Axis	Arm Length	300mm
		Rotation Range	±127°
	Y Axis	Arm Length	200mm
		Rotation Range	±142°
	Z Axis	Route	150mm
R Axis	Rotation Range	±360°	
Highest Speed	X Axis		600°/s
	Y Axis		600°/s
	X,Y Axis Synthesis		7.3m/s
	Z Axis		1.3m/s
	R Axis		1667°/s
Standard Cycle Time		0.4s	
Repeat	X,Y Axis		±0.01mm
Positioning	Z Axis		±0.01mm
Accuracy	R Axis		±0.005°
Rated / Max Load		2KG/5KG	
R Axis Allow Load Moment of Inertia(Rated/Max)		0.005 KG/m ²	
		0.035 KG/m ²	
User Signal Line		0.2 ² ×16Lines, 8 Output,6 Input	
Users Pipe		φ6×2 Root	
Weight		13.6KG	

Introduction:

1. Feature and Application

Lightweight structure,rapid response and high kinematic accuracy

With Robot controller,support for many kinds of communication ways: serial,network,USB etc.

Multi-axis linear interpolation, 3D space circular interpolation, stable acceleration and deceleration,

Installation: Ground

Usage: Assembly, Loading&Unloading Materials, Labelling

2. Shipping

We provide ocean shipping, international express and air transportation to deliver your products to you. (*Arrival time will vary depending on destination country policy and traffic condition.)

3. FAQ

Q: How many years have you produced the robot?

A: We're the first R&D center for SCARA ROBOT, and the leading solution provider of motion control products from 2002.

Q: What the speciality of your Robot?

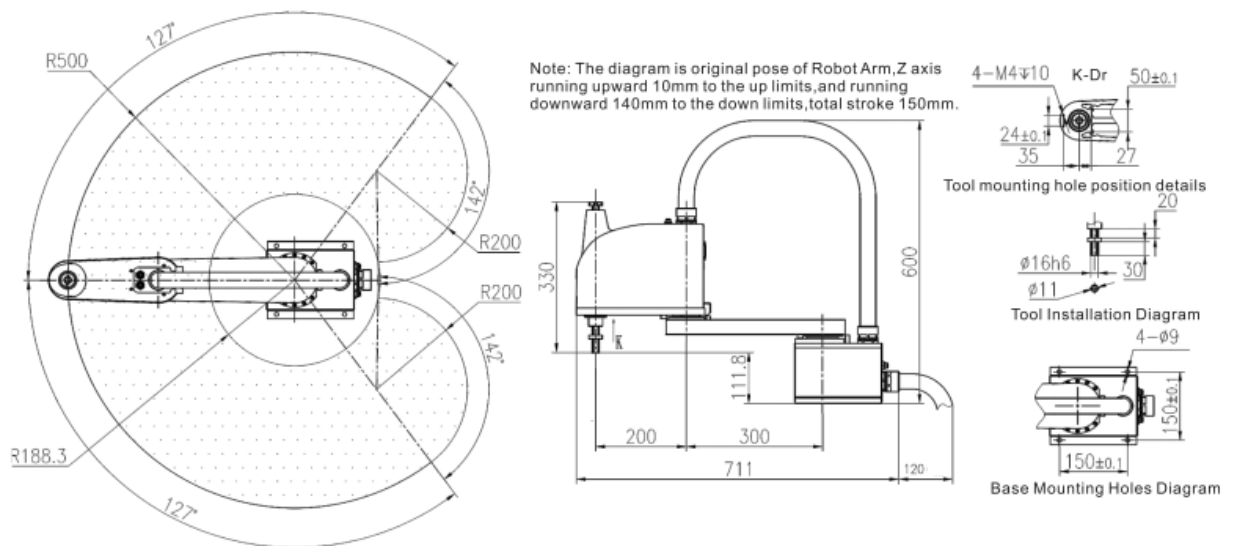
A: We made it from 2014 as the earliest R&D and manufacturer of SCARA Robot.

Application areas:

Automatic Picking, Handling, Placing, SMT, Dispensing, Stamping, Bending, Visual Sorting

Drawing:

■ Robot Movement Space, Shape and Installation Dimension (Unit: mm)



Our Service



Pre-Sales Service

- * Inquiry and consulting support.
- * Sample testing support.
- * View our Factory.



After-Sales Service

- * Training how to instal the machine, training how to use the machine.
- * Engineers available to service machinery overseas.

ADTECH (SHENZHEN) TECHNOLOGY CO., LTD.

5th, Floor, Tianxia IC Industrial Park, Yiyuan Road, Nanshan District, Shenzhen City, Guangdong Province, China.

Tel: +86-755-26099116